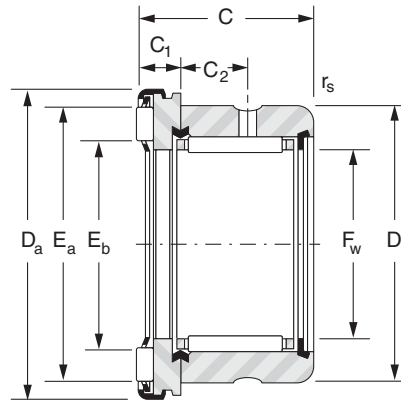
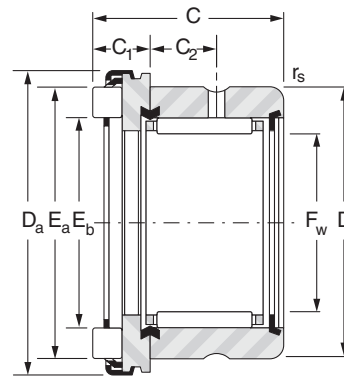


Combined bearings RAX 400 – RAX 500

Machine-tool
quality combined
bearings
RAXN 400,
RAXN 500
series

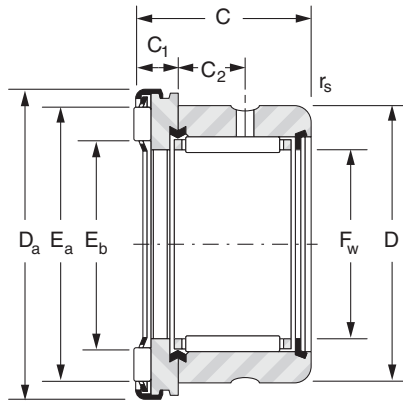


RAX 400 - RAXN 400

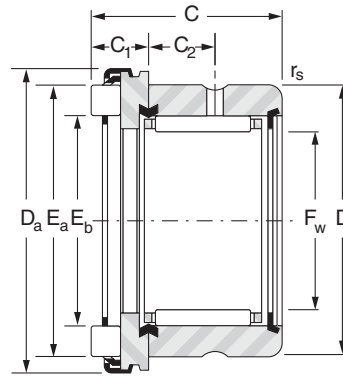


RAX 500 - RAXN 500

Shaft ∅ mm	Designations		F _w mm	C mm	D mm	D _a mm	E _b mm	E _a mm	C ₁ mm	C ₂ mm	r _s min mm
	RAX 400 series	RAX 500 series									
10	RAX 410		10	19	19	22	12	18.6	5	6	0.35
		RAX 510	10	19.5	19	22	12.2	18.5	5.5	6	0.35
12	RAX 412		12	19	21	26	15	22.6	5	6	0.35
		RAX 512	12	20	21	26	22.9	14.8	6	6	0.35
15	RAX 415		15	19	24	28	17	24.6	5	6	0.35
		RAX 515	15	20	24	28	16.8	24.9	6	6	0.35
17	RAX 417		17	21	26	30	19	26.6	5	8	0.65
		RAX 517	17	22	26	30	18.8	26.9	6	8	0.65
20	RAX 420		20	24	30	35	22	31.6	6	9	0.85
		RAX 520	20	26	30	35	22	31.6	8	9	0.85
25	RAX 425		25	24	37	42	27.7	37.4	6	9	0.85
		RAX 525	25	26	37	42	27.7	37.4	8	9	0.85
30	RAX 430		30	24	42	47	32.7	42.4	6	9	0.85
		RAX 530	30	26	42	47	32.7	42.3	8	9	0.85
35	RAX 435		35	24	47	53	37.2	49	6	9	0.85
		RAX 535	35	27	47	53.4	37.8	47.8	9	9	0.85
40	RAX 440		40	24	52	60	43	54.9	6	9	0.85
		RAX 540	40	28	52	60.4	54.8	42.8	10	9	0.85
45	RAX 445		45	24	58	65	48	59.9	6	9	0.85
		RAX 545	45	28	58	65.4	47.8	59.8	10	9	0.85
50	RAX 450		50	27	62	70	53.3	65.7	6	11	1.3
		RAX 550	50	31	62	70.4	52.8	64.8	10	11	1.3
60	RAX 460		60	28	72	85	63.5	79.2	7	11	1.3
		RAX 560	60	32	72	85.4	63.5	79.5	11	11	1.3
70	RAX 470		70	28	85	95	73.5	89.2	7	11	1.3
		RAX 570	70	32	85	95.4	73.5	89.5	11	11	1.3



RAX 400 - RAXN 400



RAX 500 - RAXN 500

Load Ratings kN				Speed Rating min ⁻¹	Weight kg	Inner ring	Thrust plate		Shaft Ø mm
Radial		Axial					Thin	Thick	
Dyn. C	Stat. Co	Dyn. C	Stat. Co						
5.90	7.16	5.00	10.9	15500	0.025	JR 7x10x16	CP 10 22	CP 2 10 22	10
5.90	7.16	8.20	17.9	15500	0.026	JR 7x10x16	CP 10 22	CP 2 10 22	
6.78	9.03	7.10	18.5	13000	0.032	JR 9x12x16	CP 12 26	CP 2 12 26	12
6.78	9.03	12.7	29.5	13000	0.033	JR 9x12x16	CP 12 26	CP 2 12 26	
9.66	12.6	7.60	20.8	11500	0.034	JR 12x15x16	CP 15 28	CP 2 15 28	15
9.66	12.6	14.0	34.0	11500	0.036	JR 12x15x16	CP 15 28	CP 2 15 28	
11.8	16.3	8.10	23.0	10500	0.041	JR 14x17x17	CP 17 30	CP 2 17 30	17
11.8	16.3	15.0	39.0	10500	0.044	JR 14x17x17	CP 17 30	CP 2 17 30	
14.8	23.7	11.8	39.0	9000	0.066	JR 17x20x20	CP 20 35	CP 3 20 35	20
14.8	23.7	22.0	54.0	9000	0.070	JR 17x20x20	CP 20 35	CP 3 20 35	
15.1	26.2	13.3	49.0	7500	0.099	JR 20x25x20	CP 25 42	CP 3 25 42	25
15.1	26.2	25.5	70.0	7500	0.105	JR 20x25x20	CP 25 42	CP 3 25 42	
20.2	34.6	14.5	57.0	6500	0.111	JR 25x30x20	CP 30 47	CP 3 30 47	30
20.2	34.6	26.5	77.0	6500	0.118	JR 25x30x20	CP 30 47	CP 3 30 47	
22.1	40.8	18.9	84.0	5500	0.130	JR 30x35x20	CP 35 52	CP 3 35 52	35
22.1	40.8	33.8	94.0	5500	0.146	JR 30x35x20	CP 35 52	CP 3 35 52	
23.8	47.0	20.4	96.0	5000	0.150	JR 35x40x20	CP 40 60	CP 3 40 60	40
23.8	47.0	46.0	129.0	5000	0.174	JR 35x40x20	CP 40 60	CP 3 40 60	
24.9	51.8	21.8	109.0	4500	0.179	JR 40x45x20	CP 45 65	CP 3 45 65	45
24.9	51.8	49.0	143.0	4500	0.206	JR 40x45x20	CP 45 65	CP 3 45 65	
30.2	68.5	22.5	118.0	4000	0.205	JR 45x50x25	CP 50 70	CP 3 50 70	50
30.2	68.5	51.0	157.0	4000	0.232	JR 45x50x25	CP 50 70	CP 3 50 70	
31.9	78.1	31.5	193.0	3500	0.282	JR 55x60x25	CP 60 85	CP 4 60 85	60
31.9	78.1	71.0	255.0	3500	0.327	JR 55x60x25	CP 60 85	CP 4 60 85	
36.1	84.7	34.5	223.0	3000	0.386	JR 60x70x25	CP 1.5 70 95	CP 4 70 95	70
36.1	84.7	77.0	295.0	3000	0.435	JR 60x70x25	CP 1.5 70 95	CP 4 70 95	